

The Sollatek FreeCom

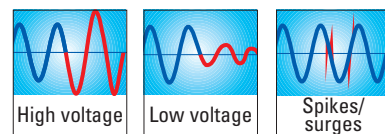
Electronic temperature control and protection for 'fridges and freezers

Functions:

- Electronic temperature control
- Timed defrost control
- Auxiliary relay - alternate with compressor
- Multi profile operation - field changeable
- Highly accurate temperature measurement - not affected by barometric pressure
- Low voltage protection
- High voltage protection
- Spike/surge protection
- Rated at 16A 250V AC with 70A in-rush current
- Water splash proof for rugged operation
- Max panel thickness:1mm

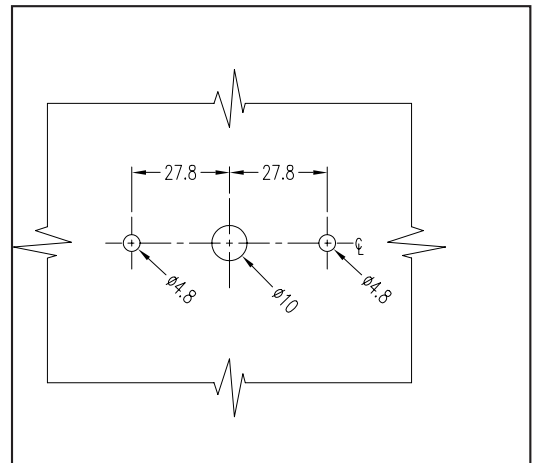
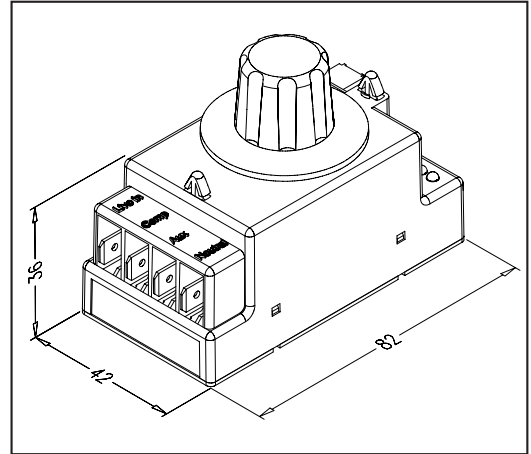


Protects against:



Technical specifications

	230V	115V
Voltage Protection		
Nominal Voltage	230V	115V
High Voltage Disconnect	266V	133V
High Voltage Reconnect	260V	130V
Low Voltage Disconnect	180V	90V
Low Voltage Reconnect	186V	93V
Time Delay	180 Secs	
Under Voltage Blind Time	2 Secs	
Immediate Disconnect Voltage	150V	
Over Voltage Blind Time	0.5 Secs	
Temperature Control		
Pot Off Position	Enabled	
Type of Temperature Control	Fixed Cut-In	
Compressor Cut-in Temperature	4.5°C	
Maximum Cut-out Temperature	-5°C	
Minimum Cut-out Temperature	-11°C	
Pot Direction Setting	Colder = CW	
Pot-Off Position	8 O'clock	
Temperature Blind Time	10 Secs	
Defrost Control		
Defrost Start Function(Time/Temp)	Enable	
Defrost End Function(Time/Temp)	Time	
Defrost End Time	20 Minutes	
Accumulated Compressor run time	8 Hours	
NTC Error Detection		
Type of Detection on Temp NTC	Enable	
Type of Active Detection	Active	
Type of Active Detection	Stop & Indicate	



Fixing centres

- Fixing is quick and easy via two 'snap-in' features, moulded into the box. No screws required.
- Power connections are through 0.25" faston terminals.
- Weight = 120g approx.

Sollatek™
The Power to Protect

Sollatek (UK) Ltd. Unit 10, Poyle 14 Industrial Estate, Newlands Drive, Poyle, Slough, Berkshire SL3 0DX, UK
Tel: +44 (0)1753 688300 Fax: +44 (0)1753 685306 email: sales@sollatek.com web: www.sollatek.com